

# HYVA CYLINDER

714 04 291



type: UMB 129-4-1020-K205-45-1/2"-HC

tipping weight: 12-20 ton

page # 1 / 2

Stage diameters 129 110 91 72	front view cylinder		<table border="1"> <tr><td>A</td><td>175</td></tr> <tr><td>ØC</td><td>150</td></tr> <tr><td>G¹</td><td>481</td></tr> <tr><td>I</td><td>276</td></tr> <tr><td>K¹</td><td>205</td></tr> <tr><td>M¹</td><td>99</td></tr> <tr><td>ØP</td><td>100</td></tr> <tr><td>ØQ</td><td>65</td></tr> <tr><td>S</td><td>286</td></tr> <tr><td>ØW</td><td>45</td></tr> <tr><td>X</td><td>45</td></tr> </table>	A	175	ØC	150	G¹	481	I	276	K¹	205	M¹	99	ØP	100	ØQ	65	S	286	ØW	45	X	45
A	175																								
ØC	150																								
G¹	481																								
I	276																								
K¹	205																								
M¹	99																								
ØP	100																								
ØQ	65																								
S	286																								
ØW	45																								
X	45																								

<sup>1</sup>including 20 mm pull-out [tol. -5; +30 mm]

<sup>2</sup>cylinder is delivered including oil inlet swivel adapter and cup

## specifications

total stroke <sup>1</sup>	1020 mm
dry weight cylinder only	49 kg
total volume	9.3 L
working volume	8.5 L
maximum pressure	220 bar
maximum pump flow	61 l/min
maximum allowable thrust first stage <sup>3</sup>	17.5 ton
oil inlet	1/2" BSP

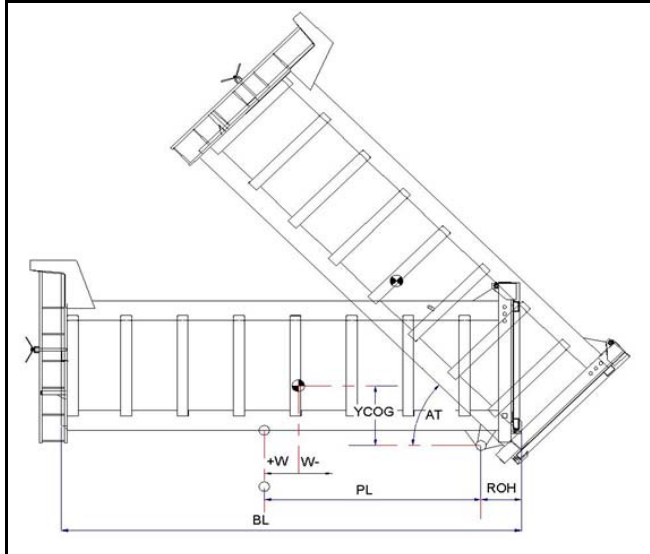
## technical notes

This cylinder is a lifting device only and may not be used as a structural member or be subjected to side load. Sideload and/or poor alignment might result in cylinder leakage. Hyva therefore strongly recommends the use of a cradle, even in instances where the cylinder only tips to the rear or to the side. The cylinder is painted black RAL9005. For suitable hydraulic oils, please refer to data sheet OIL-0011. For details of available brackets and cradles, please refer data sheet 015BRA06.

Detailed calculations can be made using the HYVA Tipper Program, freely available from [tipper.hyva.com](http://tipper.hyva.com).

<sup>3</sup>The cylinder thrust on the first stage (from the HYVA Tipper Program) must not exceed the maximum allowable (see specifications above).

## tipping view



## tipping weight

PL	1330			mm	1180		
YCOG	500			mm	500		
ROH	500			mm	500		
BL	4070	3660	3330	mm	3730	3360	3050
CYL w.r.t. COG (W)	-200	0	170	mm	-190	0	150
	Tipping weight for full stroke of 46°				Tipping weight for full stroke of 52°		
Tipping weight	12	14	17	ton	13	16	19
	Tipping weight for second last stage, up to 35°				Tipping weight for 2nd last stage, up to 39°		
Tipping weight	15	18	20	ton	15	18	20

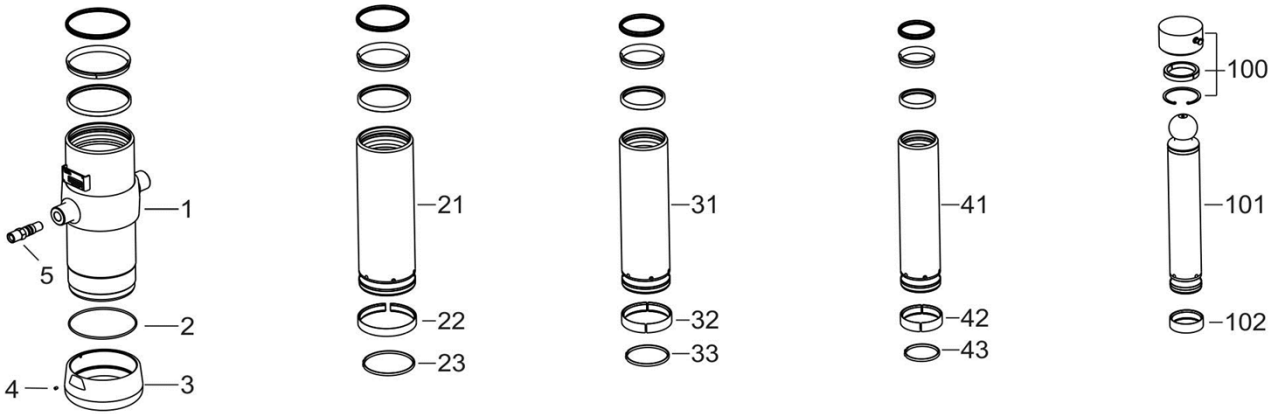
# HYVA CYLINDER

714 04 291

type

UMB 129-4-1020-K205-45-1/2"-HC

page # 2 / 2



## Spare part list

Pos	Part no.	Description	Qty.
1	73505200	BASE 149-0358-N0106	1
2	01226680	O-RING 145 X 4 70 SHORE	1
3	73101030	THREADED BOTTOM UM 149	1
4	01792571	LOCKING SCREW M6X12 INT. HEX. DIN 916	1
5	73103000	OIL INLET ADAPTOR UM 1/2"OT+O-RING	1
21	73604201	STAGE 129-0358-HC	1
22	71807129 K	SLIDER FL 129/GF 129 (2 X 1/2)	1
23	71812129 K	LIFTRING FL 129/HP 129	1
31	73603201	STAGE 110-0358-HC	1
32	71807110 K	SLIDER FL 110/GF 110 (2 X 1/2)	1
33	71812110 K	LIFTRING FL 110	1
41	73602201	STAGE 091-0358-HC	1
42	71807091 K	SLIDER FL 091 (2 X 1/2)	1
43	71812091 K	LIFTRING FL 091	1

## Spare part list

Pos	Part no.	Description	Qty.
100	01745102	RETAINER KIT UMB D.65	1
101	73401201	PISTON B 072-0398-HC	1
102	71807072 K	SLIDER FL 072 (2 X 1/2)	1

## Seal kit complete

Part no.	Description
719 04 440K	Complete packset: Consists of all packsets with packset grease and o-ring.