

HYVA CYLINDER

714 05 365



type: UMB 149-5-1280-K258-50-3/4"-HC

tipping weight: 12-23 ton

page # 1 / 2

Stage diameters 149 129 110 91 72	front view cylinder		<table border="0"> <tr><td>A</td><td>205</td></tr> <tr><td>ØC</td><td>170</td></tr> <tr><td>G¹</td><td>485</td></tr> <tr><td>I</td><td>227</td></tr> <tr><td>K¹</td><td>258</td></tr> <tr><td>M¹</td><td>99</td></tr> <tr><td>ØP</td><td>100</td></tr> <tr><td>ØQ</td><td>65</td></tr> <tr><td>S</td><td>242</td></tr> <tr><td>ØW</td><td>50</td></tr> <tr><td>X</td><td>45</td></tr> </table>	A	205	ØC	170	G ¹	485	I	227	K ¹	258	M ¹	99	ØP	100	ØQ	65	S	242	ØW	50	X	45
A	205																								
ØC	170																								
G ¹	485																								
I	227																								
K ¹	258																								
M ¹	99																								
ØP	100																								
ØQ	65																								
S	242																								
ØW	50																								
X	45																								

¹including 20 mm pull-out [tol. -5; +30 mm]

²cylinder is delivered including oil inlet swivel adapter and cup

specifications

total stroke ¹	1280 mm
dry weight cylinder only	64 kg
total volume	14.1 L
working volume	12.9 L
maximum pressure	220 bar
maximum pump flow	61 l/min
maximum allowable thrust first stage ³	20.0 ton
oil inlet	3/4" BSP

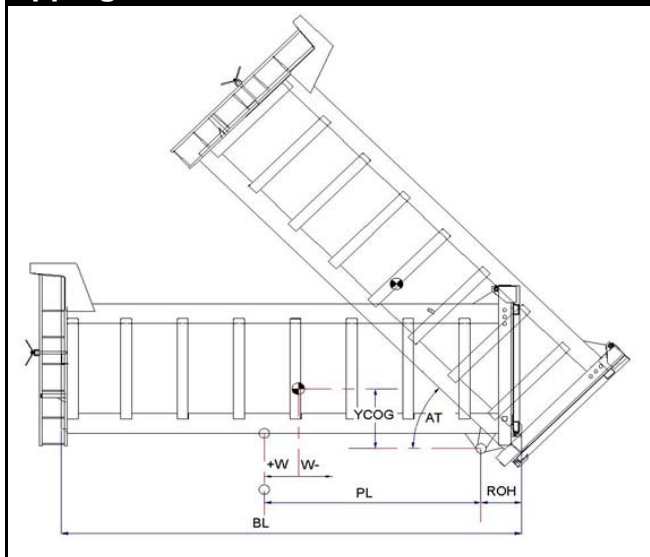
technical notes

This cylinder is a lifting device only and may not be used as a structural member or be subjected to side load. Sideload and/or poor alignment might result in cylinder leakage. Hyva therefore strongly recommends the use of a cradle, even in instances where the cylinder only tips to the rear or to the side. The cylinder is painted black RAL9005. For suitable hydraulic oils, please refer to data sheet OIL-0011. For details of available brackets and cradles, please refer data sheet 015BRA06.

Detailed calculations can be made using the HYVA Tipper Program, freely available from tipper.hyva.com.

³The cylinder thrust on the first stage (from the HYVA Tipper Program) must not exceed the maximum allowable (see specifications above).

tipping view



tipping weight

PL	1670			mm	1480		
YCOG	600			mm	600		
ROH	600			mm	600		
BL	5040	4540	4130	mm	4620	4160	3780
CYL w.r.t. COG (W)	-250	0	210	mm	-230	0	190
	Tipping weight for full stroke of 46°				Tipping weight for full stroke of 52°		
Tipping weight	12	15	18	ton	13	17	21
	Tipping weight for second last stage, up to 37°				Tipping weight for 2nd last stage, up to 42°		
Tipping weight	16	20	23	ton	17	20	23

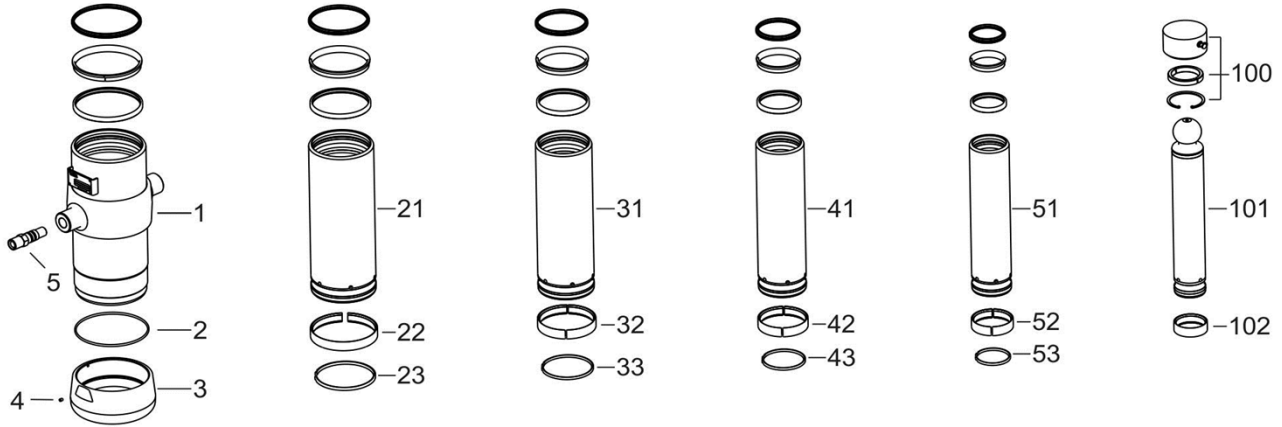
HYVA CYLINDER

714 05 365

type

UMB 149-5-1280-K258-50-3/4"-HC

page # 2 / 2



Spare part list			
Pos	Part no.	Description	Qty.
1	73506200	BASE 169-0358-N0159	1
2	01226709	O-RING 165 X 4 NBR 70 SHORE	1
3	73101040	THREADED BOTTOM UM 169	1
4	01792571	LOCKING SCREW M6X12 INT. HEX. DIN 916	1
5	73103002	OIL INLET ADAPTOR UM 3/4"OT+O-RING	1
21	73605201	STAGE 149-0358-HC	1
22	71807149 K	SLIDER FL 149	1
23	71812149 K	LIFTRING FL 149/HP 150	1
31	73604201	STAGE 129-0358-HC	1
32	71807129 K	SLIDER FL 129/GF 129 (2 X 1/2)	1
33	71812129 K	LIFTRING FL 129/HP 129	1
41	73603201	STAGE 110-0358-HC	1
42	71807110 K	SLIDER FL 110/GF 110 (2 X 1/2)	1
43	71812110 K	LIFTRING FL 110	1
51	73602201	STAGE 091-0358-HC	1
52	71807091 K	SLIDER FL 091 (2 X 1/2)	1
53	71812091 K	LIFTRING FL 091	1

Spare part list			
Pos	Part no.	Description	Qty.
100	01745102	RETAINER KIT UMB D.65	1
101	73401201	PISTON B 072-0398-HC	1
102	71807072 K	SLIDER FL 072 (2 X 1/2)	1

Seal kit complete	
Part no.	Description
719 04 550K	Complete packset: Consists of all packsets with packset grease and o-ring.