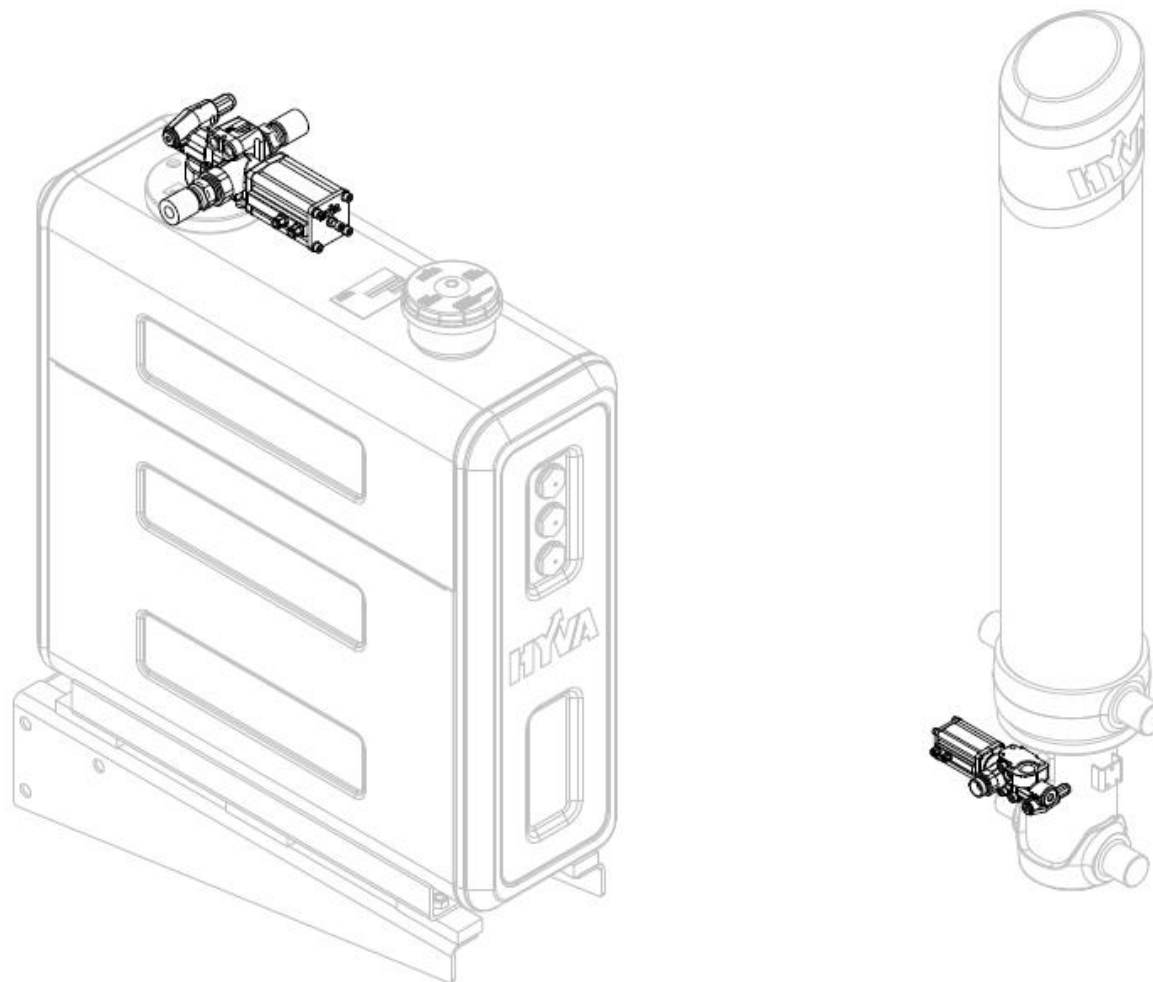


Mounting Instructions

HT-VALVE-1150

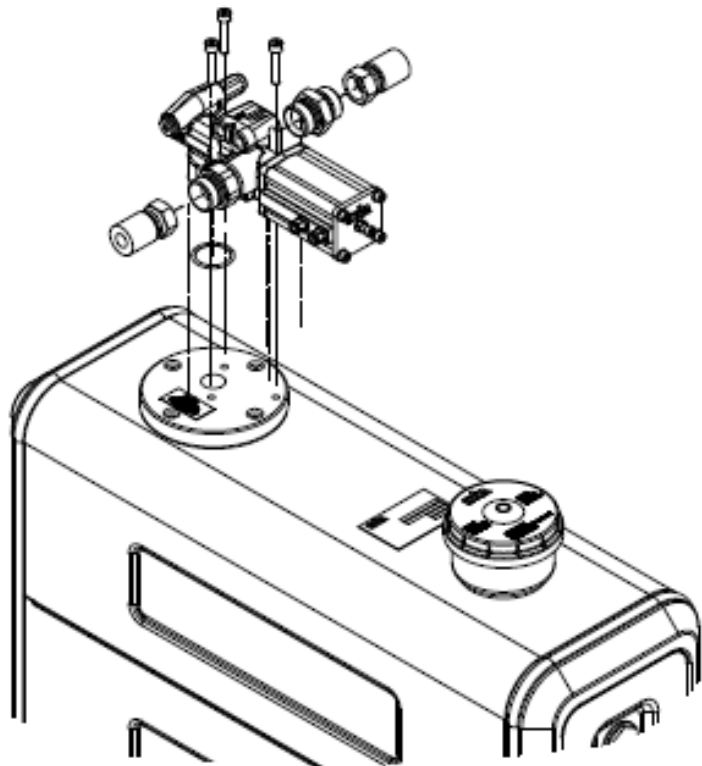


Mounting Instructions

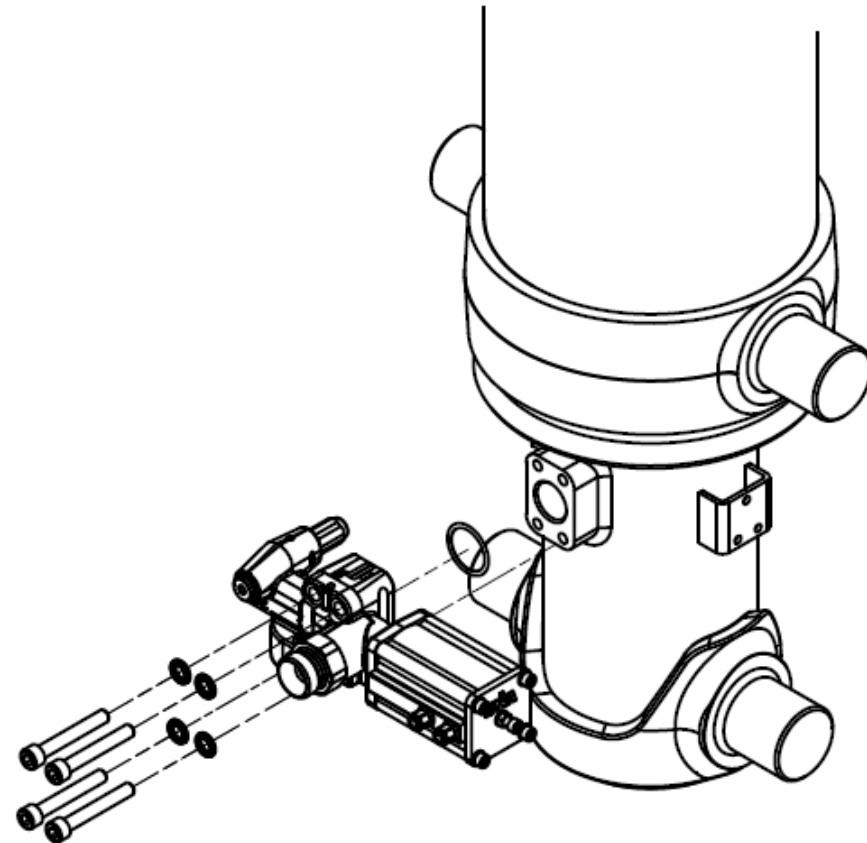
HT-VALVE-1150

Mounting Instructions

HT-VALVE-1150



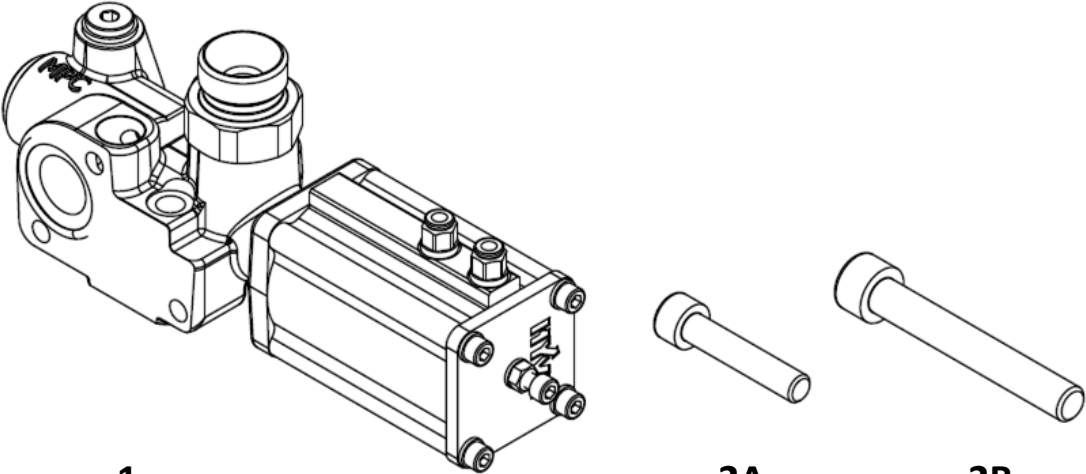
TYPE-A 1, 3, 5, 7



TYPE-B 2, 4, 6, 8

Mounting Instructions

HT-VALVE-1150



No.	Description	Q.ty
1	HT-VALVE-1150	1
2A	BOLT M8x40 (TNK)	3
2B	BOLT M8x60 (SAE)	4
3	O-RING	1
4A	WASHER NORD LOCK M8 (TNK)	3
4B	WASHER NORD LOCK M10 (SAE)	4
5	HIGH PRESSURE HOSE	2
6	ADAPTER	1

1

2A

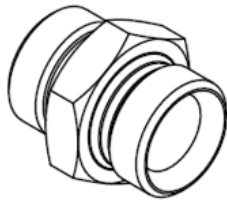
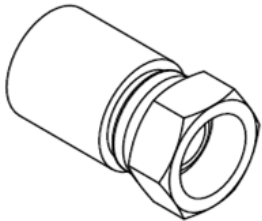
2B



3

4A

4B



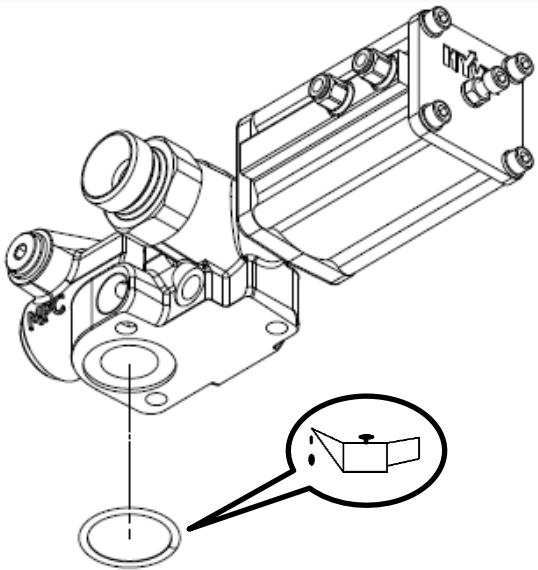
5

6

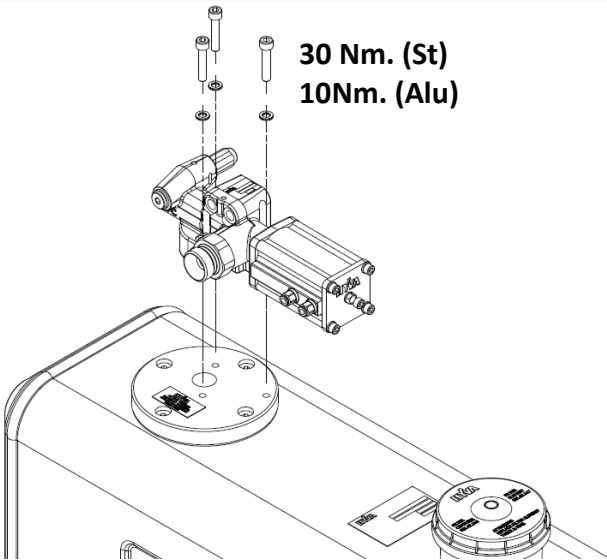
Mounting Instructions

HT-VALVE-1150

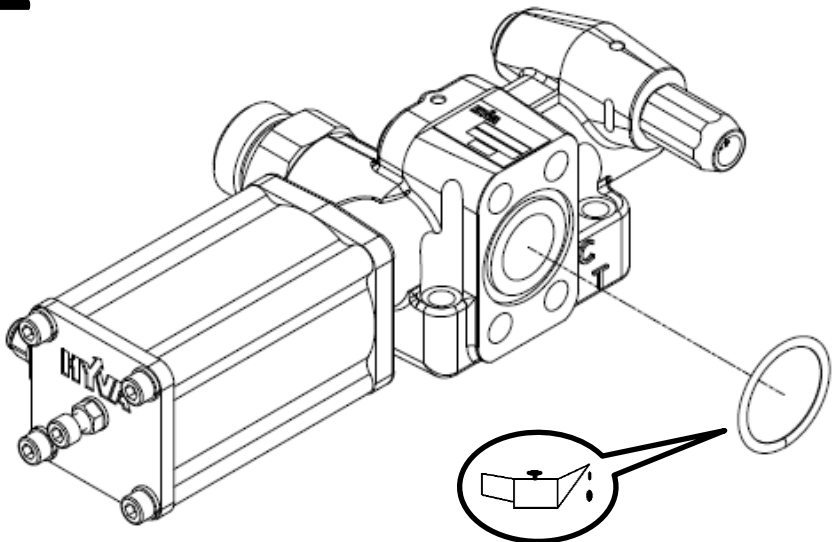
1



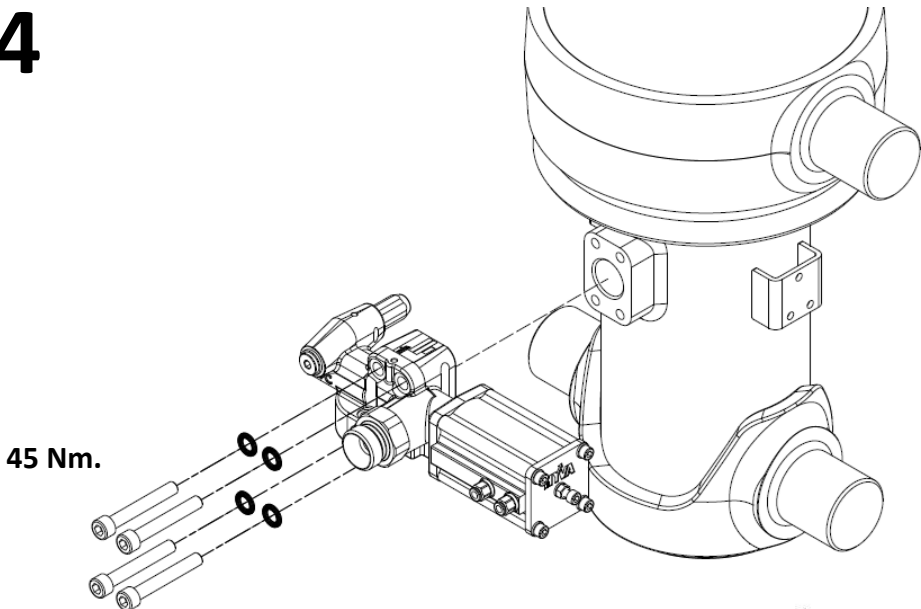
3



2



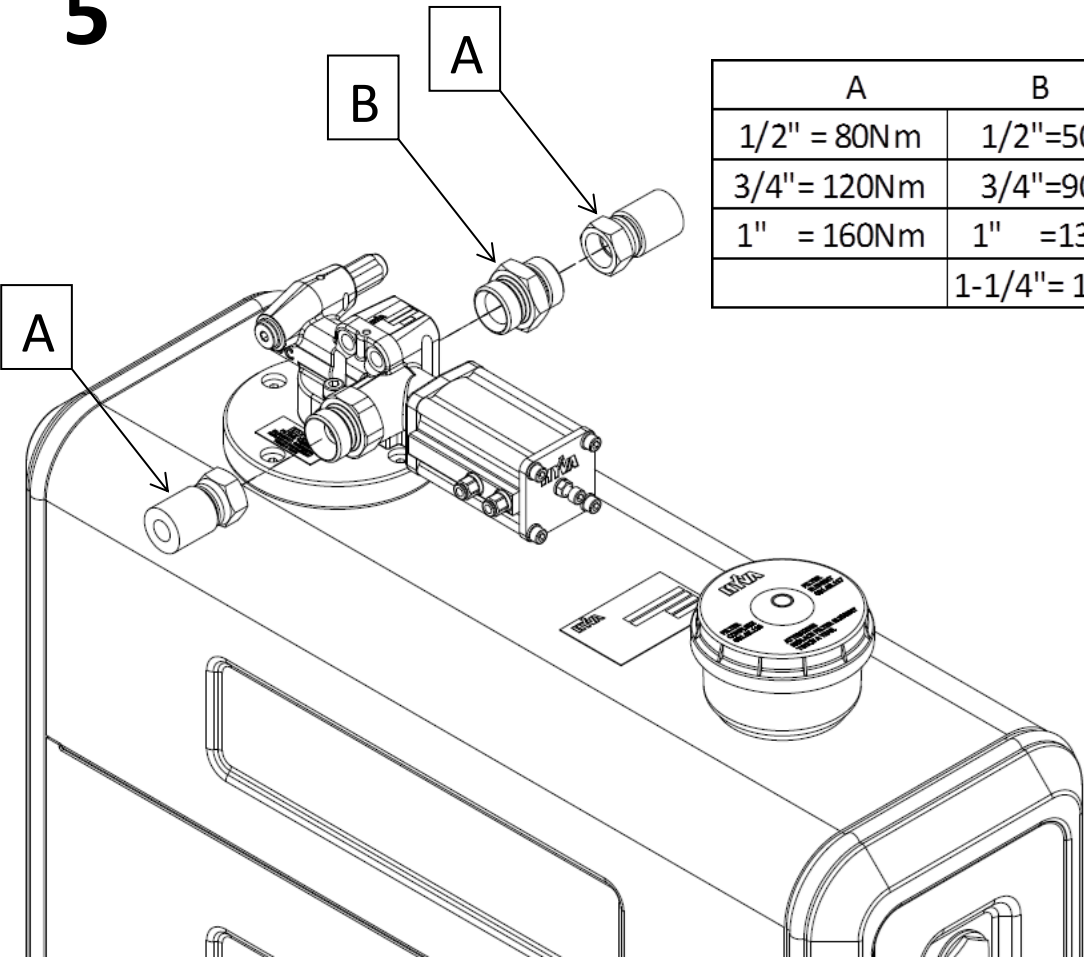
4



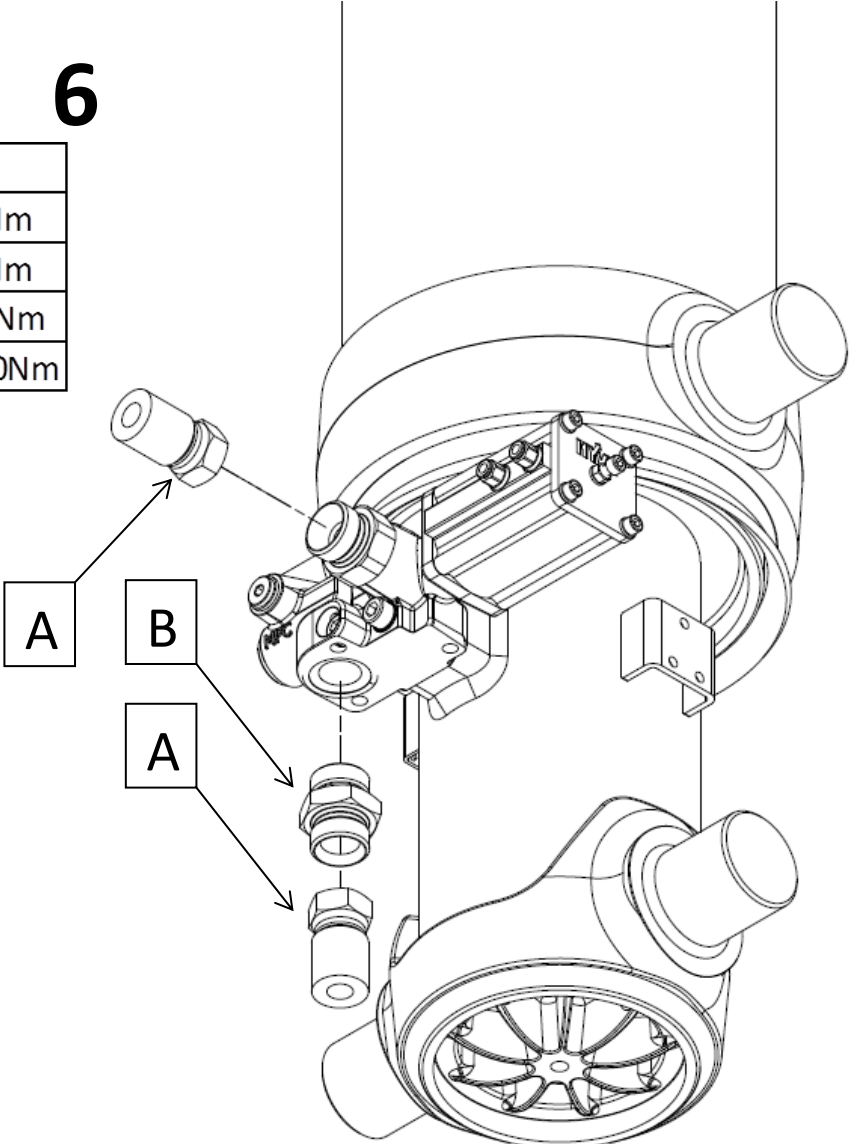
Mounting Instructions

HT-VALVE-1150

5



6

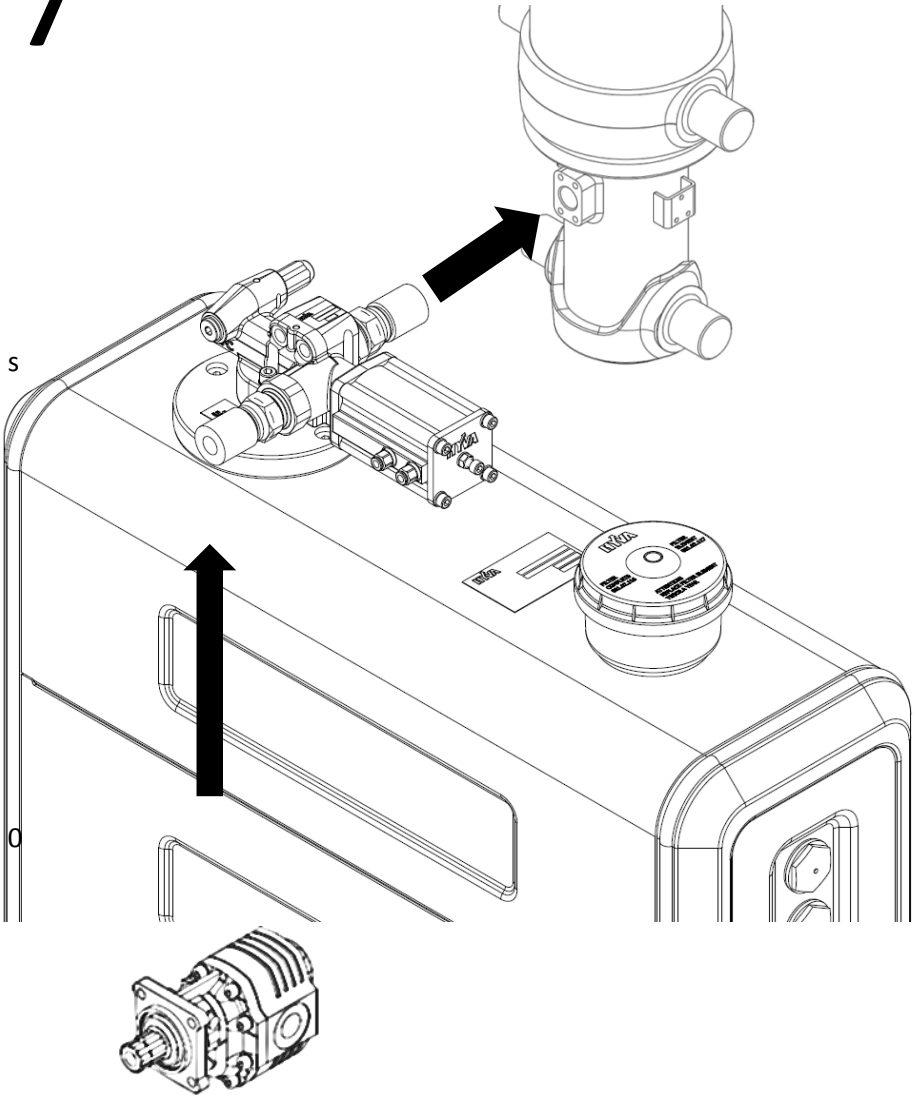


A	B
1/2" = 80Nm	1/2"=50Nm
3/4"= 120Nm	3/4"=90Nm
1" = 160Nm	1" =130Nm
	1-1/4"= 170Nm

Mounting Instructions

HT-VALVE-1150

7



8

