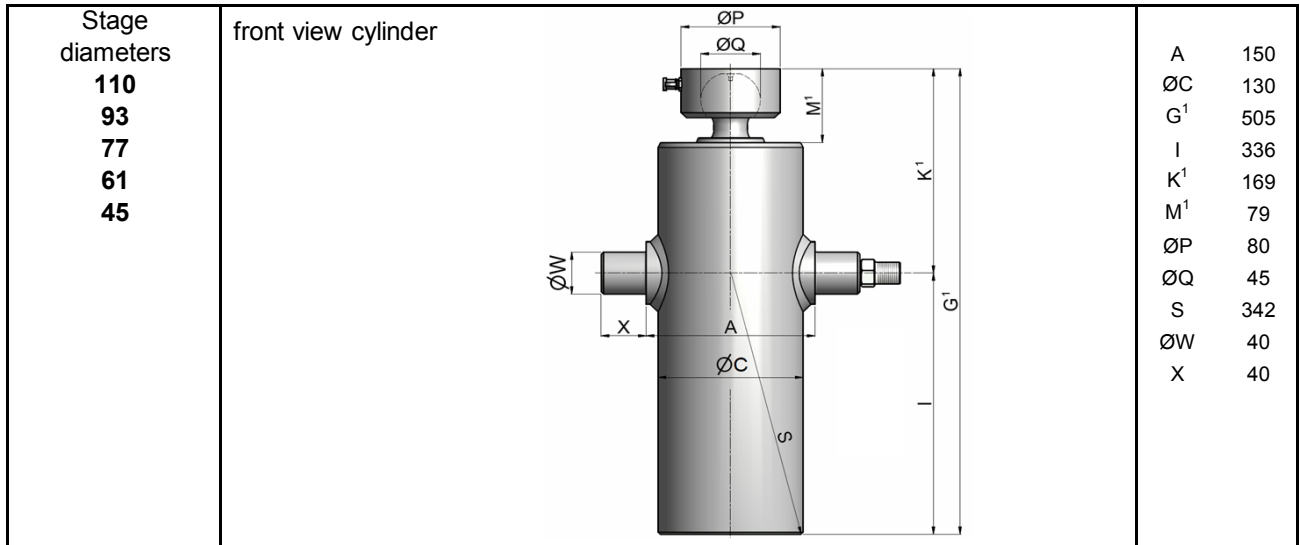


# HYVA CYLINDER

714 18 441



type: **ULB 110-5-1540-K169-40-1/2"-HC**  
 tipping weight: **4-9 ton**  
 page # 1 / 1



<sup>1</sup>including 20 mm pull-out [tol. -5; +30 mm]

<sup>2</sup>cylinder is delivered including oil inlet swivel adapter and cup

## specifications

total stroke <sup>1</sup>	1540 mm
dry weight cylinder only	36 kg
total volume	8.8 L
working volume	7.8 L
maximum pressure	190 bar
maximum pump flow	24 l/min
maximum allowable thrust first stage <sup>3</sup>	8.0 ton
oil inlet	1/2" BSP

## technical notes

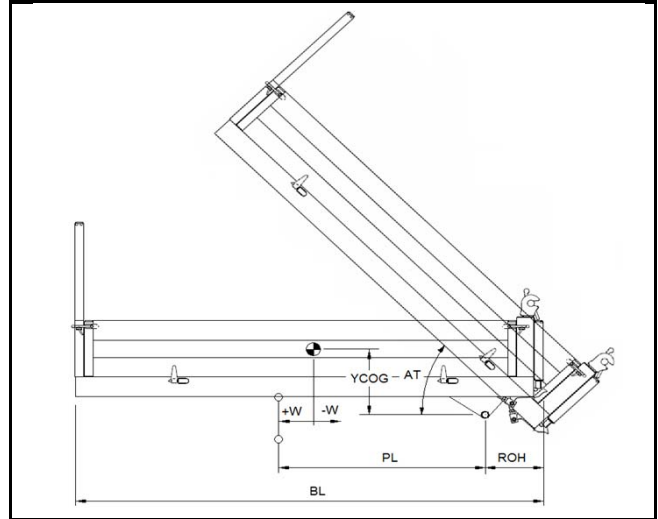
This cylinder is a lifting device only and may not be used as a structural member or be subjected to side load. Side load and/or poor alignment might result in cylinder leakage. Hyva therefore strongly recommends the use of a cradle, even in instances where the cylinder only tips to the rear or to the side.

The cylinder is painted black RAL9005. For suitable hydraulic oils, please refer to data sheet OIL-0011. For details of available brackets and cradles, please refer to data sheet 015BRA07.

Detailed calculations can be made using the HYVA Tipper Program, freely available from [tipper.hyva.com](http://tipper.hyva.com).

<sup>3</sup>The cylinder thrust on the first stage (from the HYVA Tipper Program) must not exceed the maximum allowable (see specifications above).

## tipping view



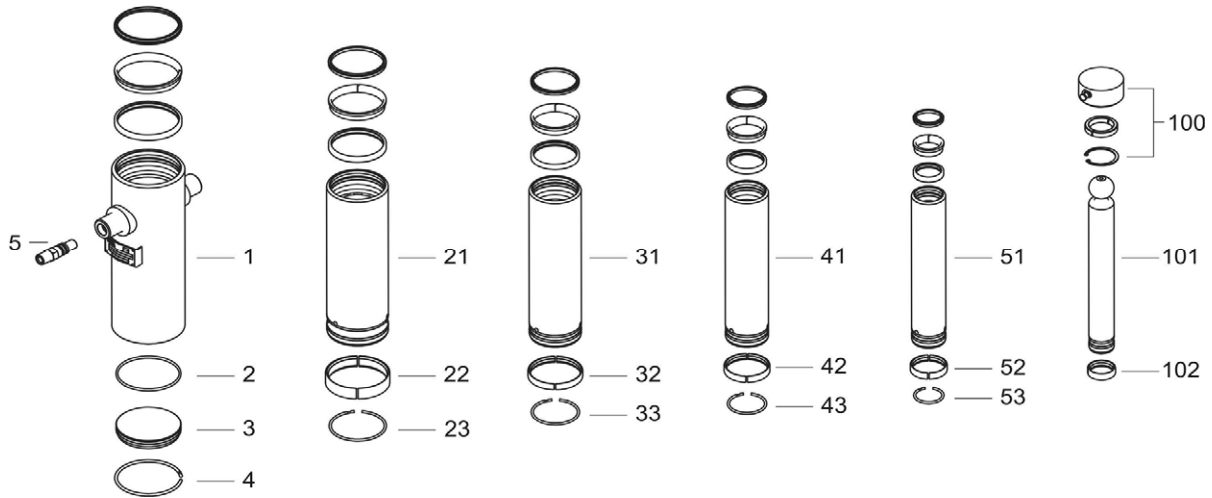
tipping weight				tipping weight			
AT	46			deg	52		
PL	2010			mm	1780		
YCOG	450			mm	450		
ROH	450			mm	450		
BL	5470	4920	4470	mm	4960	4460	4050
CYL w.r.t. COG (W)	-270	0	220	mm	-250	0	200
Tipping weight for full stroke of 46°				Tipping weight for full stroke of 52°			
Tipping weight	4	4	5	ton	4	5	6
Tipping weight for second last stage, up to 37°				Tipping weight for 2nd last stage, up to 42°			
Tipping weight	6	8	9	ton	7	8	9

# HYVA CYLINDER

714 18 441

type **ULB 110-5-1540-K169-40-1/2"-HC**

page # 2 / 2



## Spare part list

Pos	Part no.	Description	Qty.
1	73518500	BASE 129-0426-N0090	1
2	01226674	O-RING 107 X 4 70 SHORE	1
3	73101280 K	BOTTOM PLATE UL 129	1
4	73110129	SNAPRING BASE UL 129	1
5	73103000	OIL INLET ADAPTOR UM 1/2"OT+O-RING	1
21	73618501	STAGE 110-0398-HC	1
22	71807110 K	SLIDER FL 110/GF 110 (2 X 1/2)	1
23	73110110 K	INNER STOPRING/LIFTRING UL 110	1
31	73617501	STAGE 093-0398-HC	1
32	73111093 K	SLIDER UL 093 (2x1/2)	1
33	73110093 K	INNER STOPRING/LIFTRING UL 093	1
41	73616501	STAGE 077-0398-HC	1
42	73111077 K	SLIDER UL 077 (2x1/2)	1
43	73110077 K	INNER STOPRING/LIFTRING UL 077	1
51	73615501	STAGE 061-0398-HC	1
52	73111061 K	SLIDER UL 061 (2x1/2)	1
53	73110061 K	INNER STOPRING/LIFTRING UL 061	1

## Spare part list

Pos	Part no.	Description	Qty.
100	01745100	RETAINER KIT ULB D.45	1
101	73414501	PISTON B 045-0431-HC	1
102	73111045 K	SLIDER UL 045 (2x1/2)	1

## Seal kit complete

Part no.	Description
719 06 850K	Complete packset: Consists of all packsets with packset grease and o-ring.