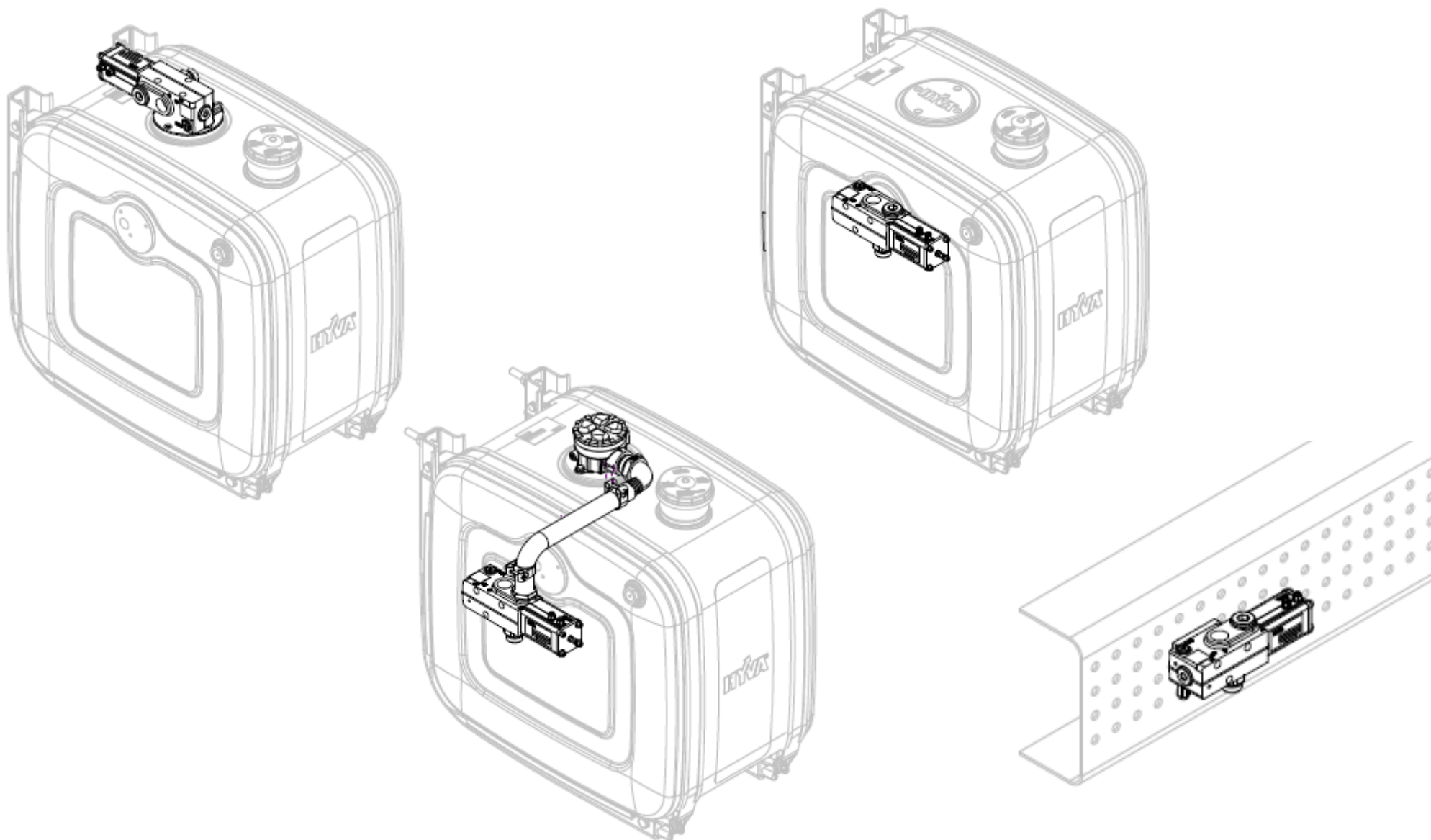


Mounting Instructions

HT-VALVE-1220-2220-TNK

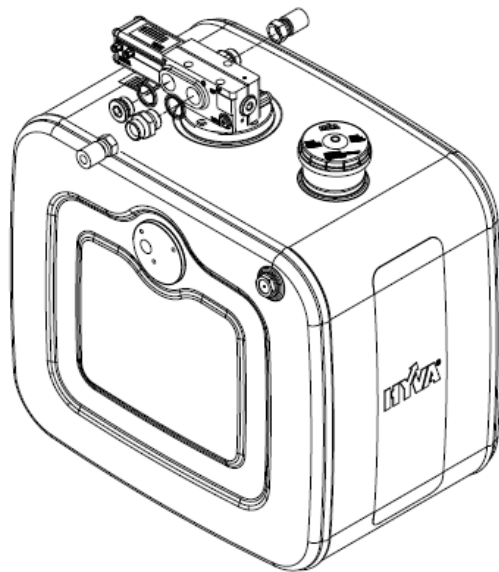


Mounting Instructions

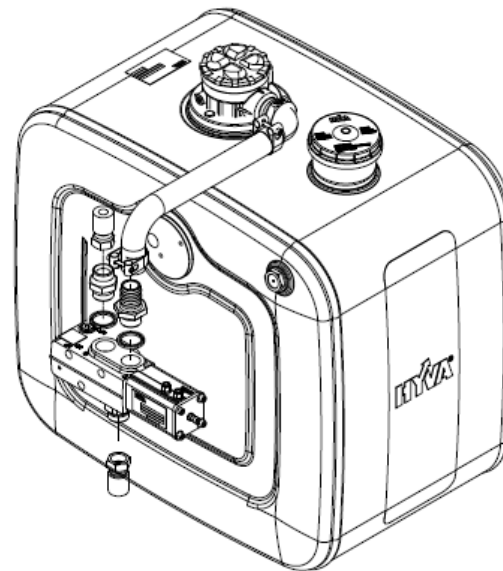
HT-VALVE-1220-2220-TNK

Mounting Instructions

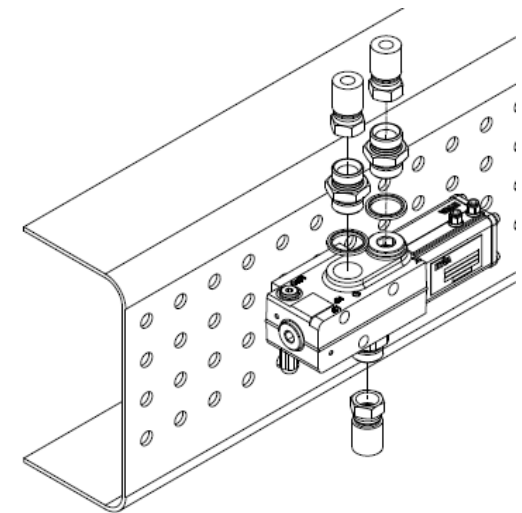
HT-VALVE-1220-2220-TNK



STEPS 1,2,5



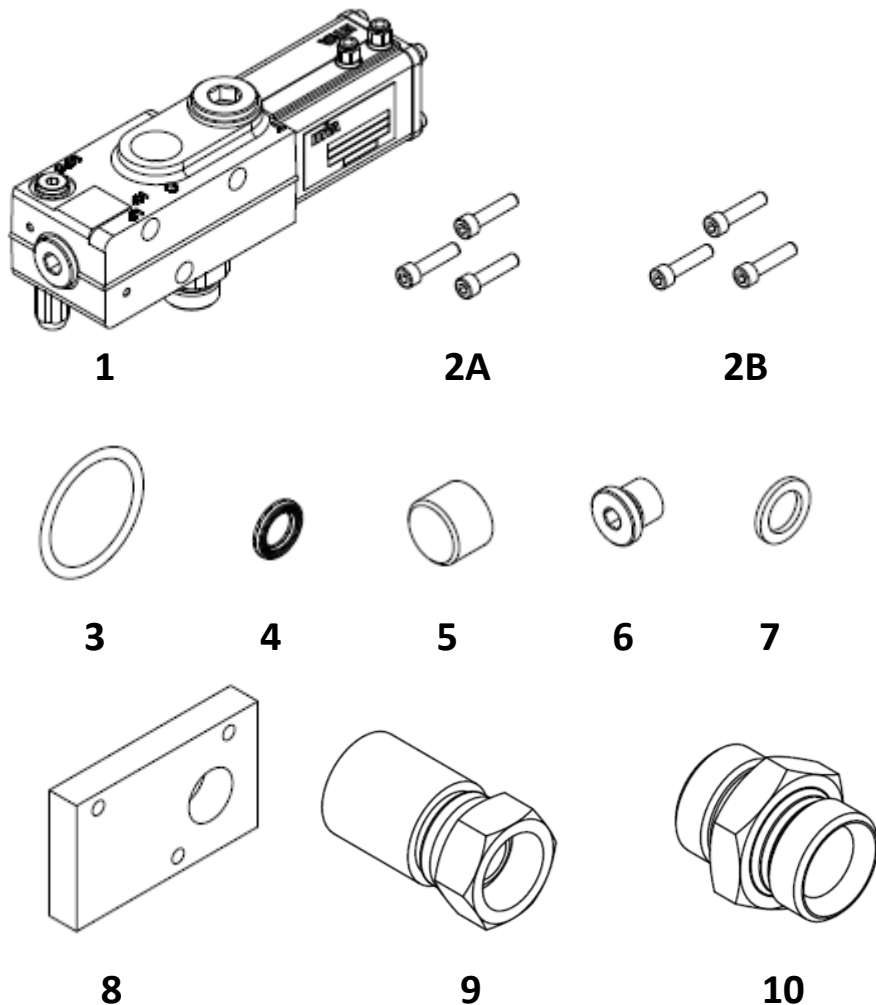
STEPS 1,4,7



STEPS 1,3,6

Mounting Instructions

HT-VALVE-1220-2220-TNK

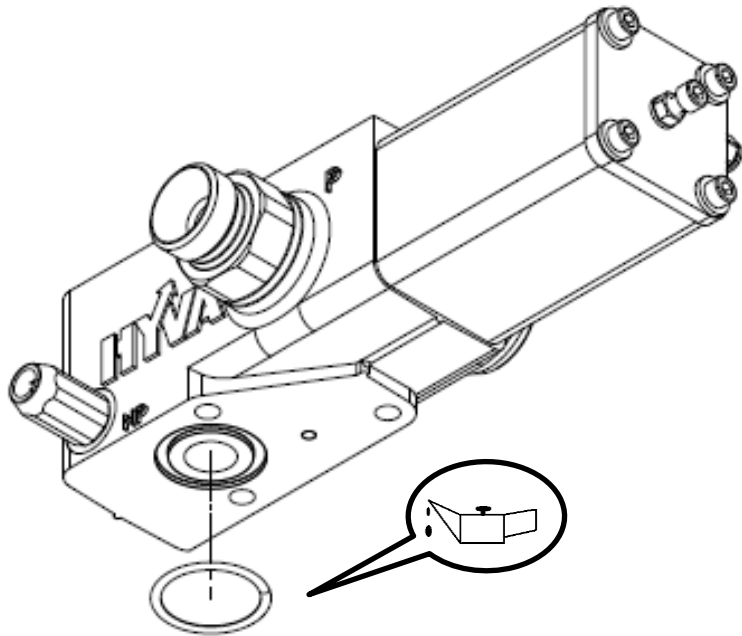


No.	Description	Q.ty
1	HT-VALVE-1220	1
	HT-VALVE-1220-QL	
	HT-VALVE-2220	
2A	BOLT M8x40	3
2B	BOLT M8x40 (QL)	2
	BOLT M8x65 (QL)	1
3	O-RING	1
4	NORDLOCK WASHER M8	3
5	Plug 1/2"	1
6	Plug 1/2" T	1
7	BONDED SEAL	2/3"
8	CHASSIS MOUNTING PLATE	1
9	HIGH PRESSURE HOSE	2/3"
10	ADAPTER	1/2"

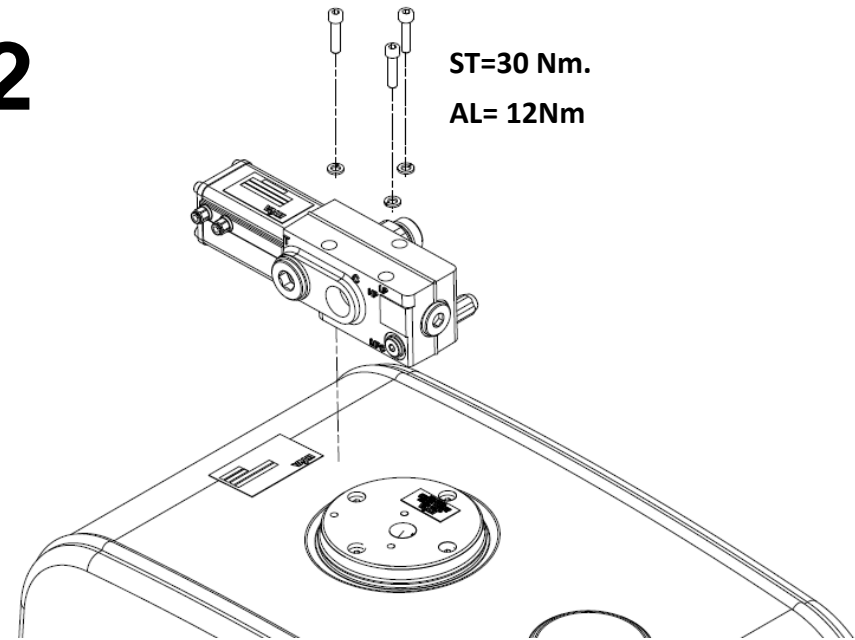
Mounting Instructions

HT-VALVE-1220-2220-TNK

1

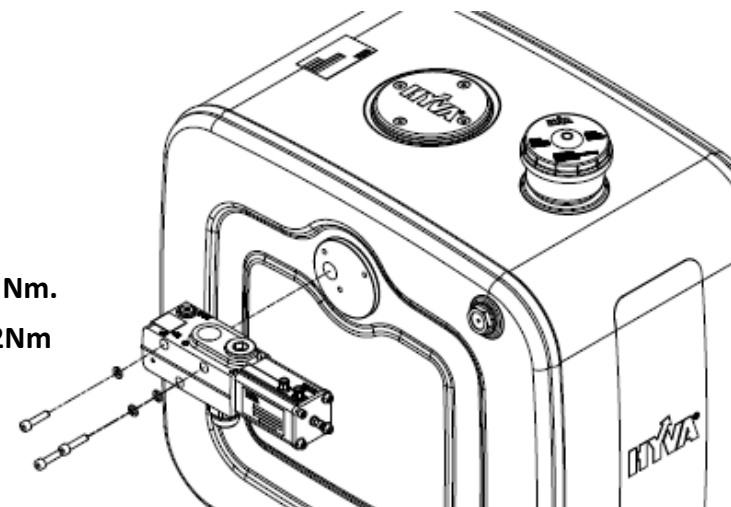


2



ST=30 Nm.
AL= 12Nm

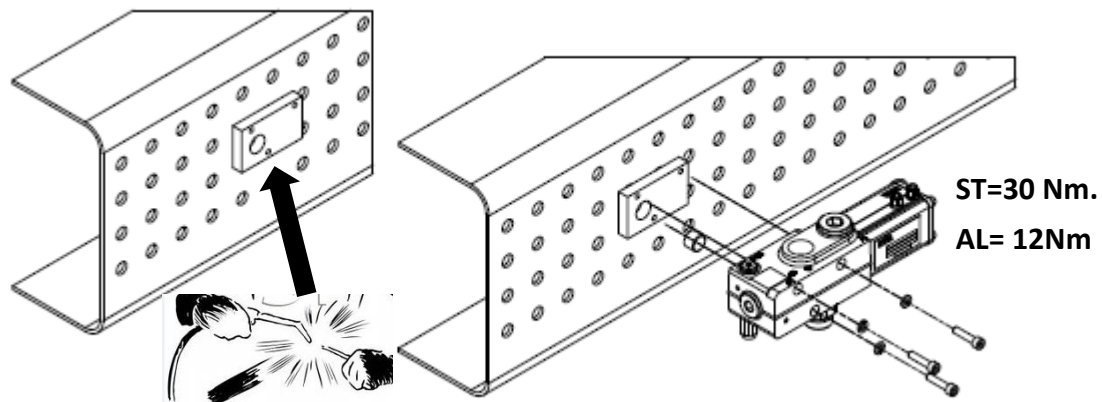
ST=30 Nm.
AL= 12Nm



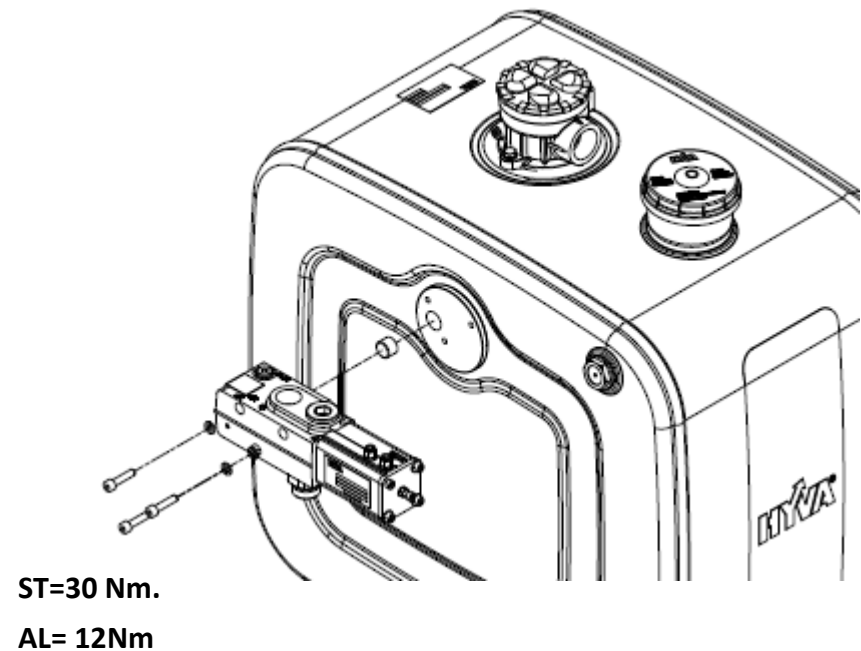
Mounting Instructions

HT-VALVE-1220-2220-TNK

3



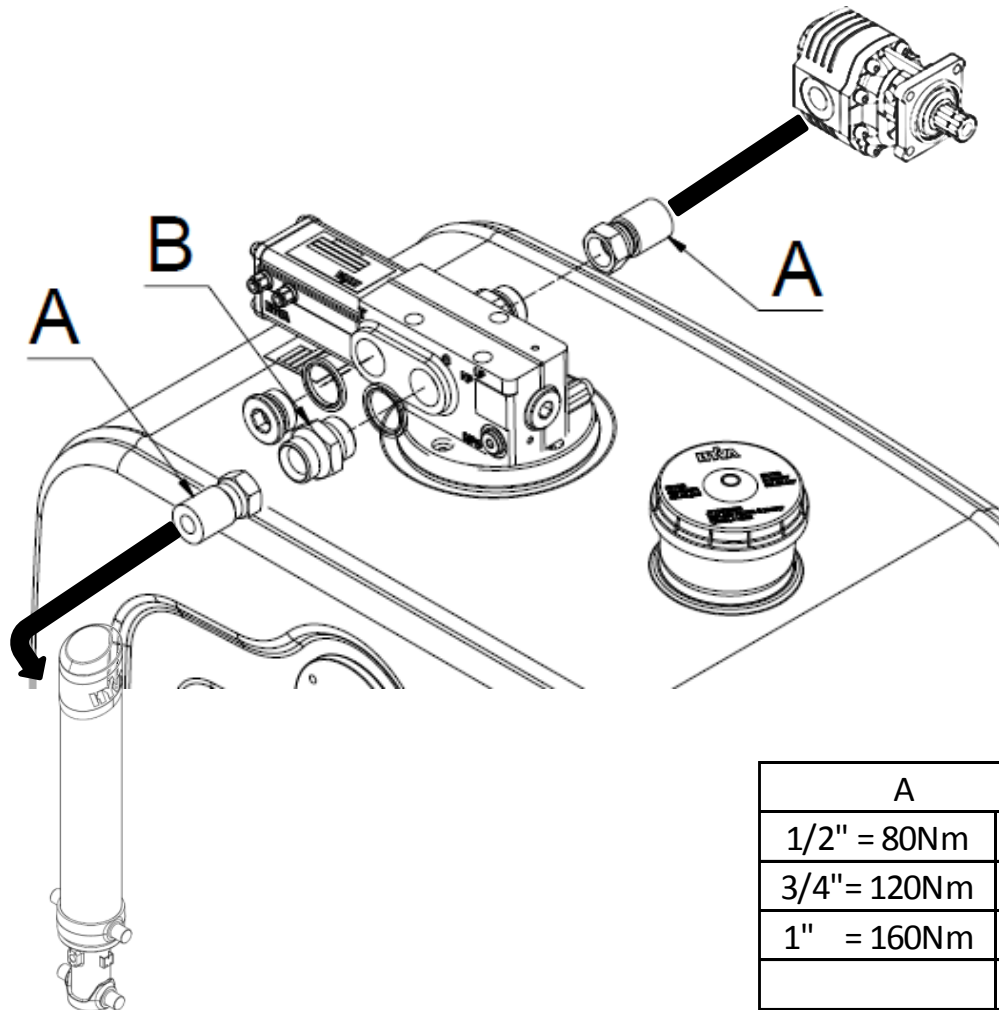
4



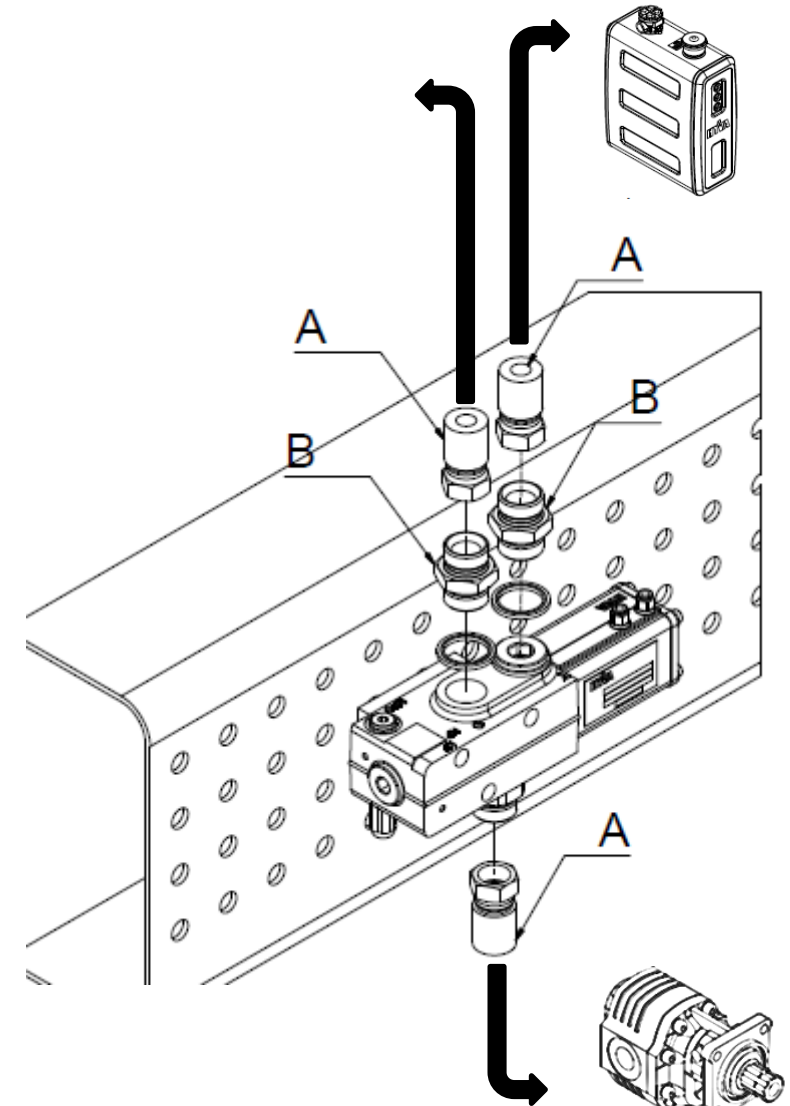
Mounting Instructions

HT-VALVE-1220-2220-TNK

5



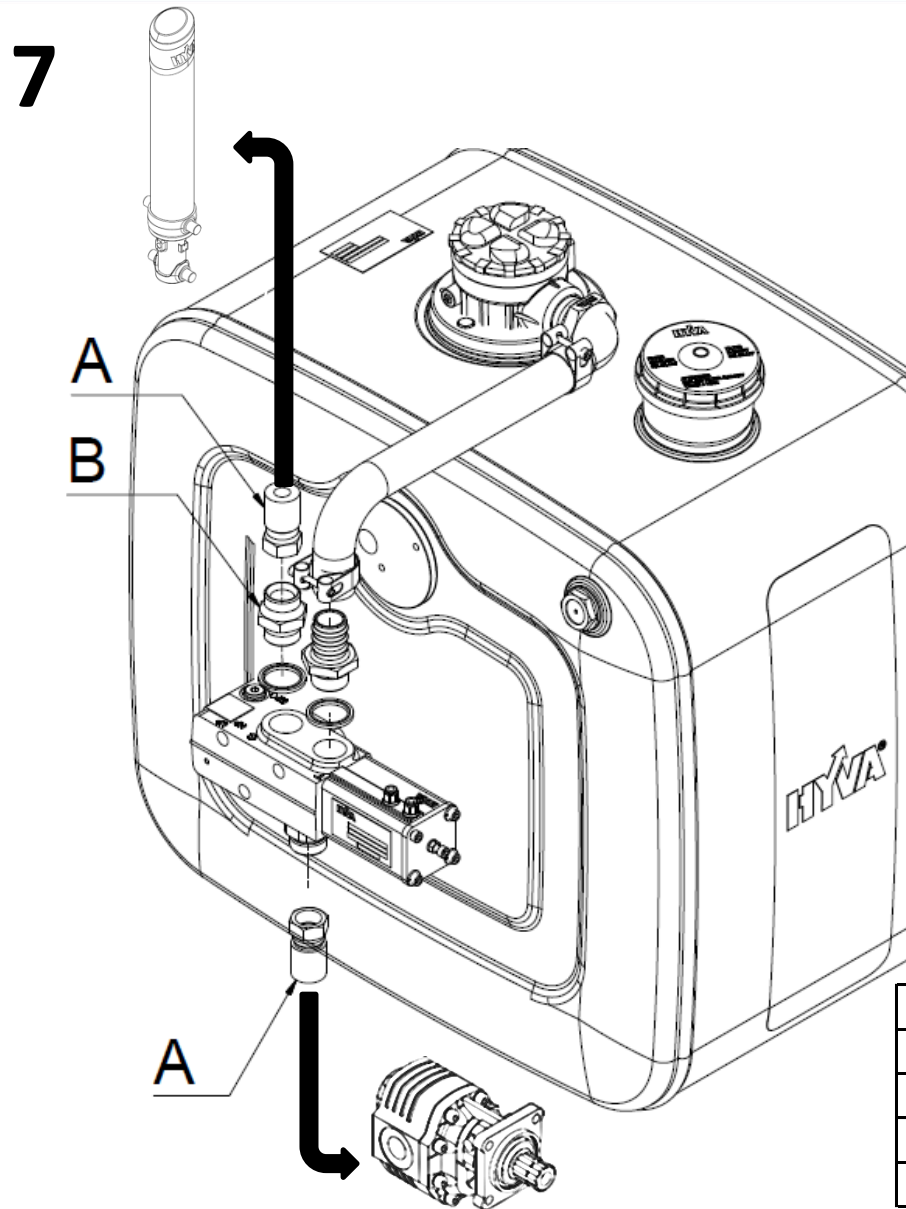
6



A	B
1/2" = 80Nm	1/2" = 50Nm
3/4" = 120Nm	3/4" = 90Nm
1" = 160Nm	1" = 130Nm
	1-1/4" = 170Nm

Mounting Instructions

HT-VALVE-1220-2220-TNK



A	B
1/2" = 80Nm	1/2" = 50Nm
3/4" = 120Nm	3/4" = 90Nm
1" = 160Nm	1" = 130Nm
	1-1/4" = 170Nm