

HYVA BRACKETS AND CRADLES



UL BRACKETS AND CRADLES

Hyva

type :

UL Brackets and cradles

note :

Please verify quoted dimensions with your local Hyva subsidiary or agent prior to use

page # 1 / 2

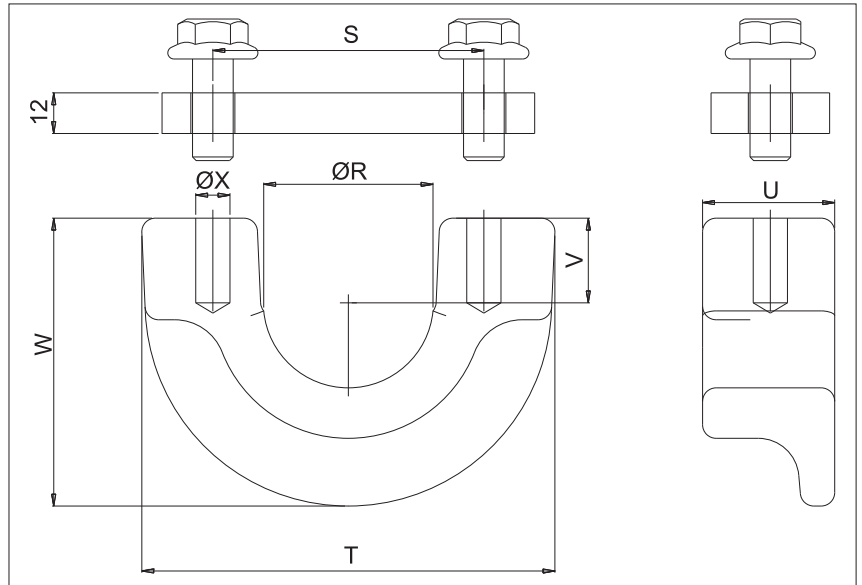
Weldable Bracket for cradles

Part No.	Description	For Cradle	ØR (mm)	S (mm)	T (mm)	U (mm)	V (mm)	W (mm)	ØX	Weight (kg)
73105034	Bracket to weld UL D40	77-110	40	70	112	39	20	75	M12	1.5

These brackets are welded hinges. They are used to mount a cradle to the chassis.

Included are:

Bracket; closing plate and fasteners.



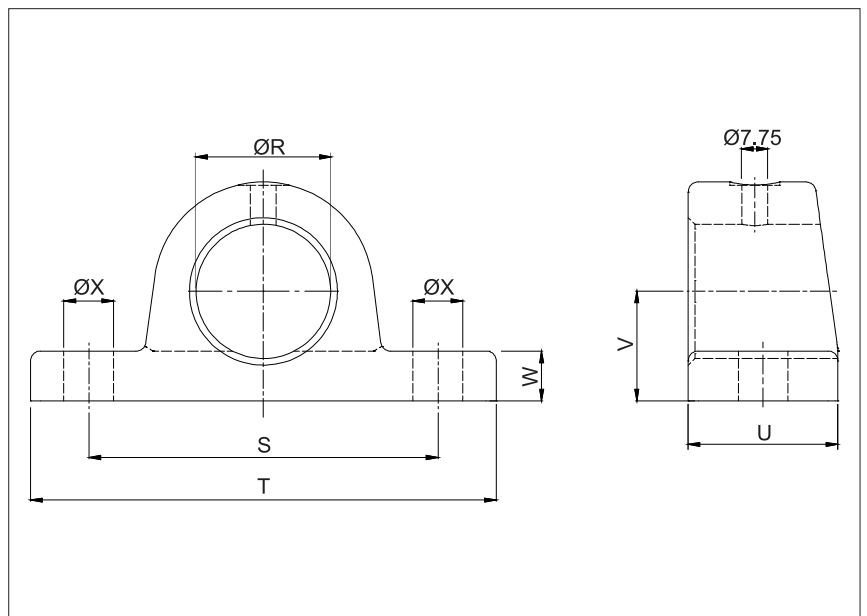
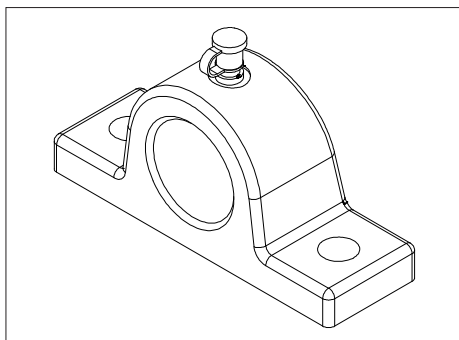
Boltable Bracket for cradles and cylinders

Part No.	Description	For Cradle	For Cylinder	ØR (mm)	S (mm)	T (mm)	U (mm)	V (mm)	W (mm)	ØX (mm)	Weight (kg)
73105071	Bracket UL to bolt D40 U40	77-110	77-110	40.5	105	140	40	33	15	15	1.1

These brackets are bolted hinges. They can be used to mount the cradle to the chassis or to mount the cylinder directly in the chassis. (This is not recommended by Hyva, it will reduce the seal life).

Remarks:

This bracket is ordered a piece. The fasteners are not included.



HYVA BRACKETS AND CRADLES



UL BRACKETS AND CRADLES

Hyva type : UL Brackets and cradles
 note : Please verify quoted dimensions with your local Hyva subsidiary or agent prior to use

page # 2 / 2

UL Cradles without knock off

Part No.	Description	J (mm)	K (mm)	L (mm)	ØM (mm)	N (mm)	O (mm)	ØP (mm)	Q (°)	Weight (kg)
73104003	Cradle UL 077-093-J225-PIN40-D40	225	132	107	40	32	39	40	60	7.3
73104011	Cradle UL 110-PIN40-D40	230	152	112	40	32	39	40	60	8.3

These Cradles are used for 3-way tipping applications and are strongly recommended for 1- and 2-way tippers to increase the seal life of the cylinder.

Included are:

Cradle; closing plates and fasteners.

Remarks:

The brackets (weldable or boltable) need to be ordered separately.

